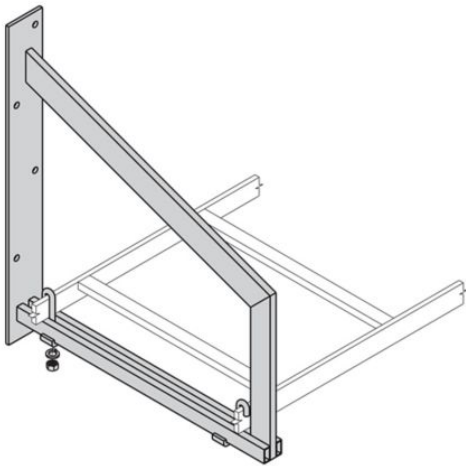


Eaton SB214A18KFB

Catalog Number: SB214A18KFB

Eaton B-Line series runway shelf bracket, Steel, 18" runway width, Flat black powder coat finish, Runway wall support

General specifications



Product Name	Catalog Number
Eaton B-Line series runway shelf bracket	SB214A18KFB
UPC	Product Length/Depth
799038251262	21 in
Product Height	Product Width
25 in	3 in
Product Weight	Certifications
9.3 lb	Not Applicable

Product specifications

Model

Runway wall support

Material

Steel

Finish

Flat black powder coat

Resources

Catalogs

[Cable runway and accessories section of datacomm catalog](#)

Specifications and datasheets

[Eaton Specification Sheet - SB214A18KFB](#)



Eaton Corporation plc
Eaton House
30 Pembroke Road
Dublin 4, Ireland
Eaton.com

© 2023 Eaton. All Rights Reserved.

Eaton is a registered trademark.

All other trademarks are property of their respective owners.



[Eaton.com/socialmedia](https://www.eaton.com/socialmedia)